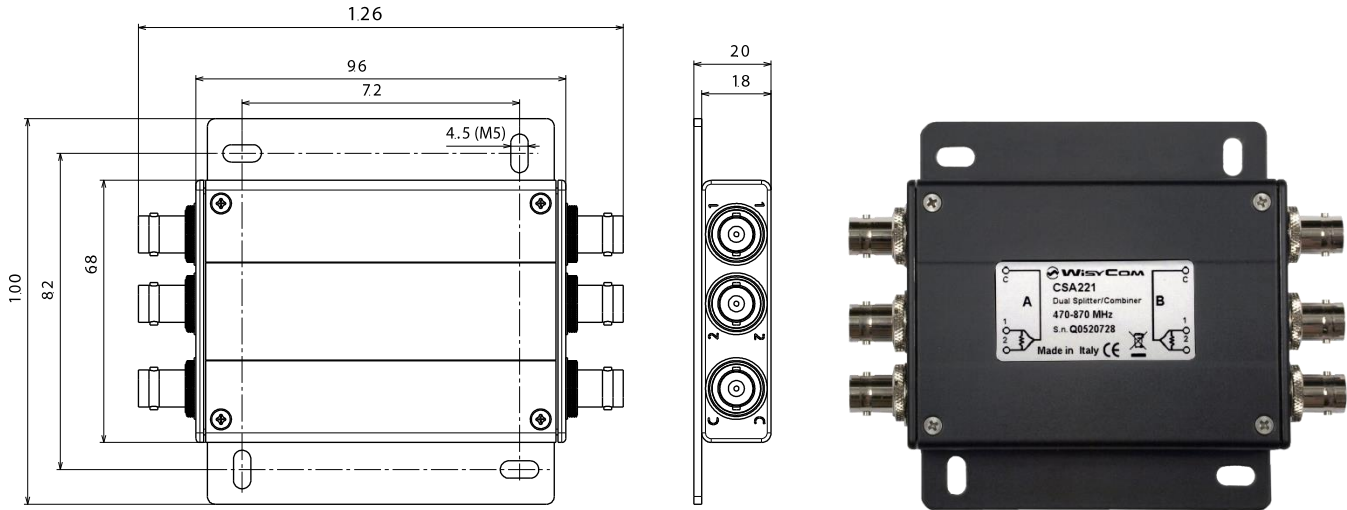


CSA221
PASSIVE WIDEBAND COMBINER
PASSIVE WIDEBAND SPLITTER
→ 2 x 2:1
→ 2 x 1:2

CSA221 is designed to combine different areas, covered by antennas in diversity configuration. CSA221 is DC-coupled for use with antenna booster: it can handle up to 1.5 Amp without saturation for high power booster (BAW) powering. Mounting plate hole M5.


Instruction

Combining: Input are [1] & [2] → output [C] (combined signal)
Splitter: Input is [C] → output [1] & [2] (split signals)

Technical Data

Connectors: 6 Bnc-F
 Splitter/Combiner loss: 4 dB
 Max current thru port: 1.5 A
 Bandwidth: 470 MHz – 870MHz
 Case: Aluminum, black varnish
 Weight: 220 g

